



TREASURE COVE II INC.
CAST ARCHITECTURAL PRODUCTS & NATURAL STONE



TREASURE COVE II INC.
CAST ARCHITECTURAL PRODUCTS & NATURAL STONE

COLUMNS

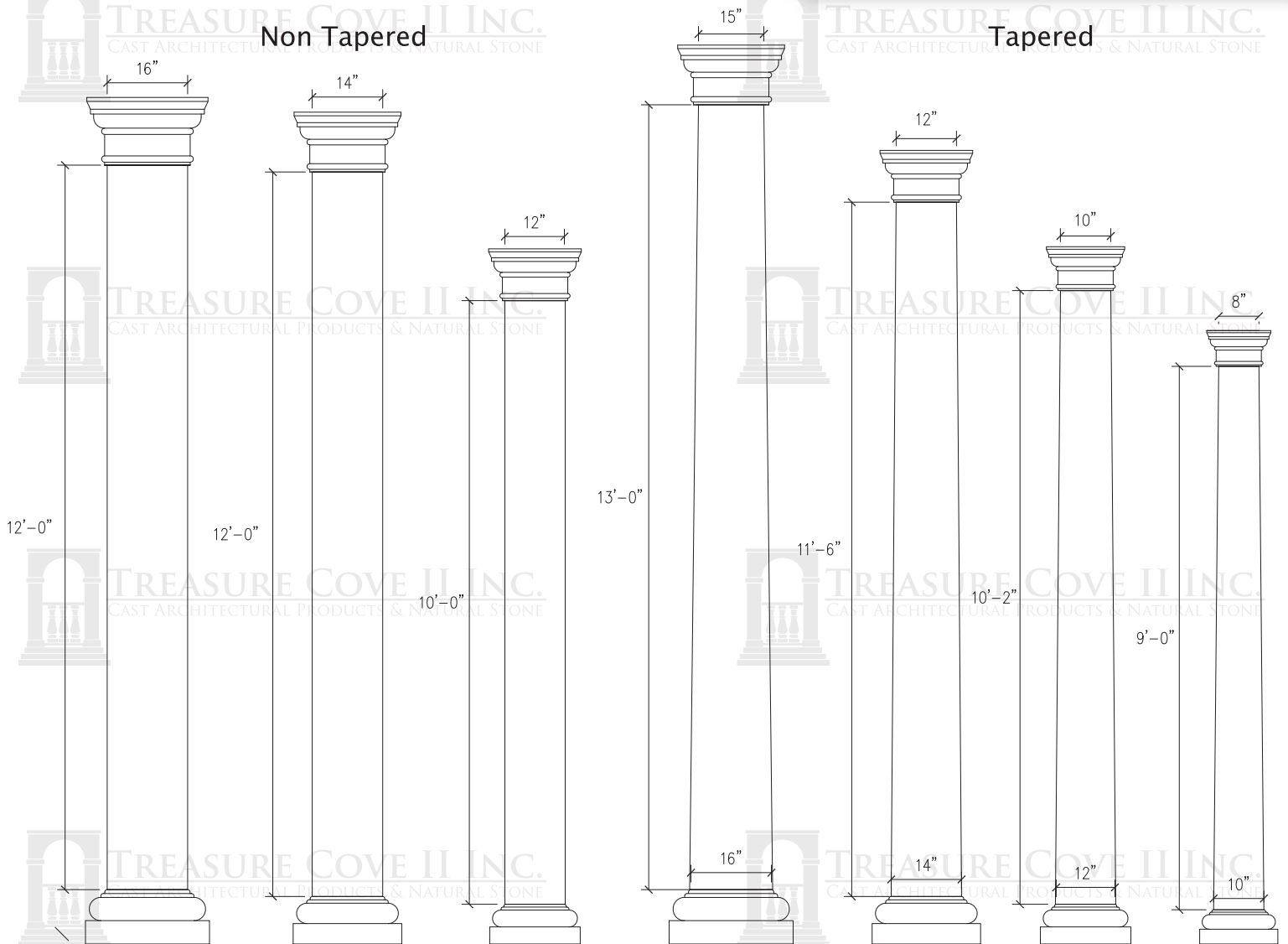
For nearly 5000 years columns have not only been a source of structural support but have also been a source of defining and categorizing architectural and decorative styles. No matter what style you choose, architectural cast columns are stately and grand design gestures that provide visual structure and solidity. Our collection of columns, capitals and bases is unequalled!

Columns are manufactured in vertical halves, which are bonded together to form the column.



Non Tapered

Tapered



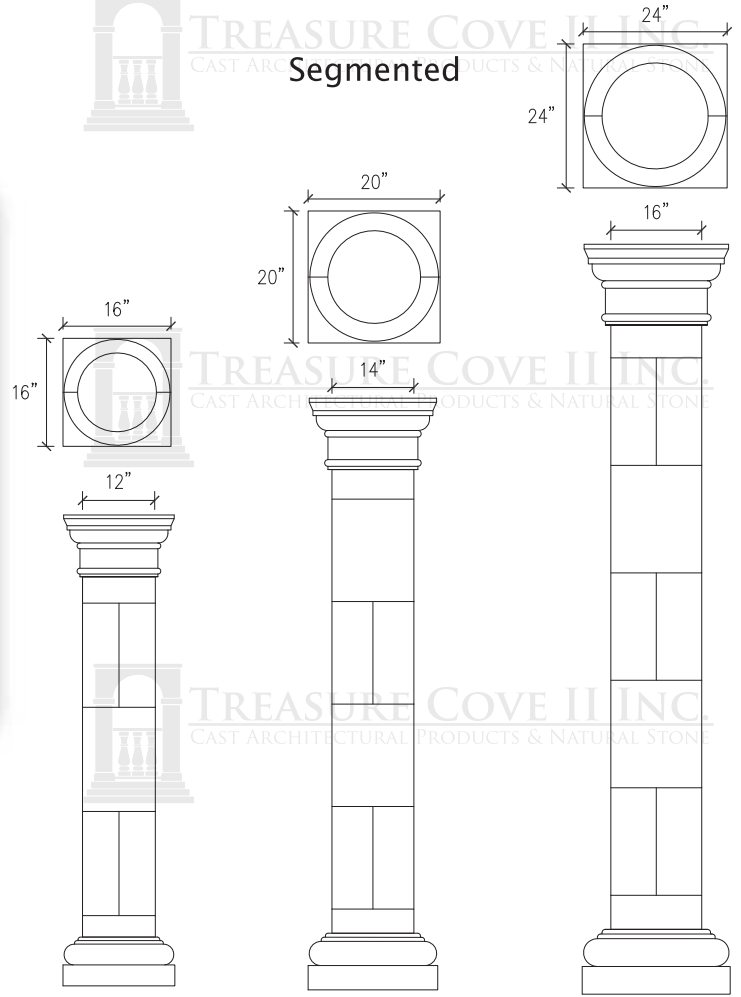


TREASURE COVE II INC.
CAST ARCHITECTURAL PRODUCTS & NATURAL STONE



TREASURE COVE II INC.
CAST ARCHITECTURAL PRODUCTS & NATURAL STONE

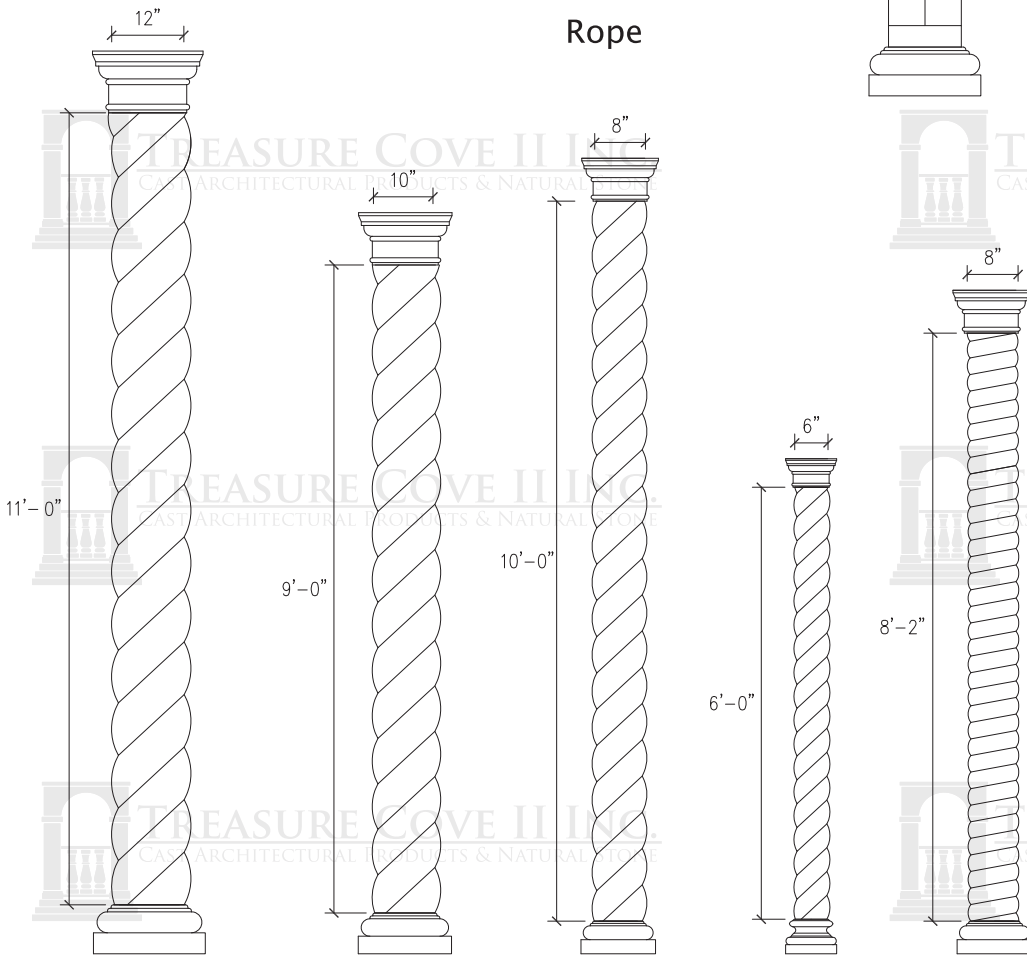
Segmented



TREASURE COVE II INC.
CAST ARCHITECTURAL PRODUCTS & NATURAL STONE

TREASURE COVE II INC.
CAST ARCHITECTURAL PRODUCTS & NATURAL STONE

Rope



TREASURE COVE II INC.
CAST ARCHITECTURAL PRODUCTS & NATURAL STONE

TREASURE COVE II INC.
CAST ARCHITECTURAL PRODUCTS & NATURAL STONE



TREASURE COVE II INC.
CAST ARCHITECTURAL PRODUCTS & NATURAL STONE

TREASURE COVE II INC.
CAST ARCHITECTURAL PRODUCTS & NATURAL STONE