



TREASURE COVE II INC.  
CAST ARCHITECTURAL PRODUCTS & NATURAL STONE



TREASURE COVE II INC.  
CAST ARCHITECTURAL PRODUCTS & NATURAL STONE

# PIER CAPS & WALLCAPS

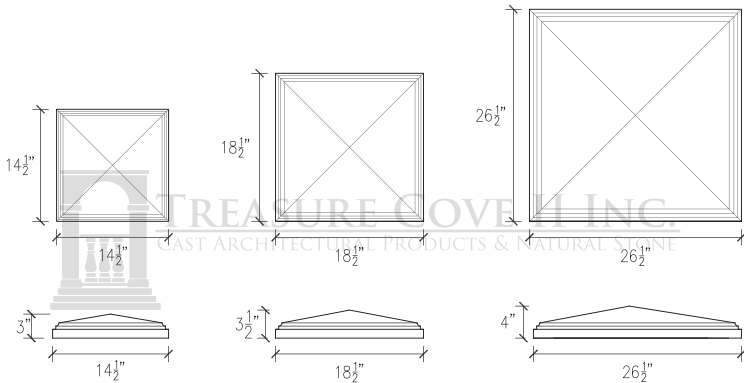
Caps are an important cast stone covering used for piers or walls to divert water and ensure structural integrity. They also are an opportunity to provide a decorative style and an important finish detail to your project.



TREASURE COVE II INC.  
CAST ARCHITECTURAL PRODUCTS & NATURAL STONE



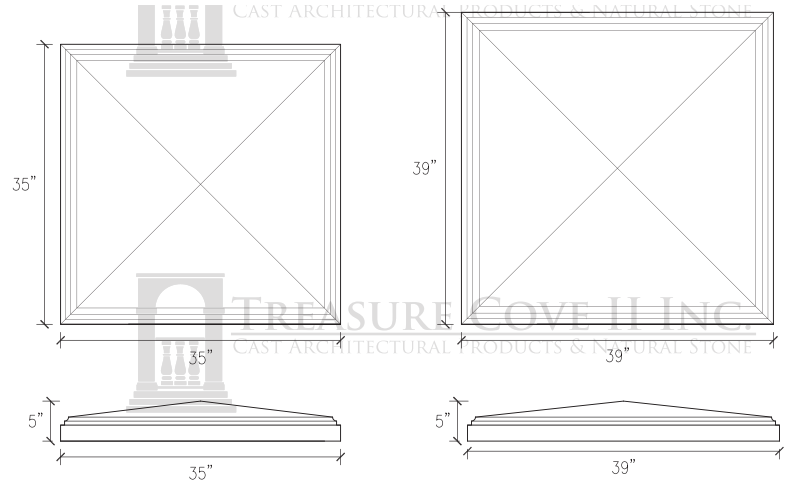
TREASURE COVE II INC.  
CAST ARCHITECTURAL PRODUCTS & NATURAL STONE



PC10

PC11

PC12

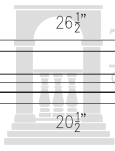


PC13

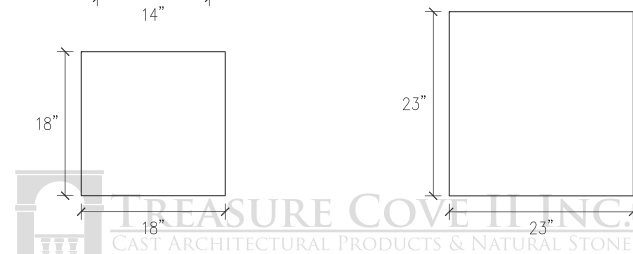
PC14



TREASURE COVE II INC.  
CAST ARCHITECTURAL PRODUCTS & NATURAL STONE

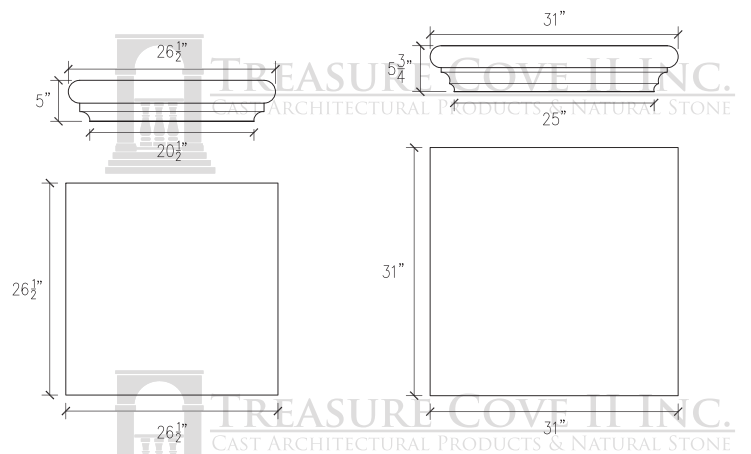


TREASURE COVE II INC.  
CAST ARCHITECTURAL PRODUCTS & NATURAL STONE



PC20

PC21



PC22

PC23



II INC.  
NATURAL STONE



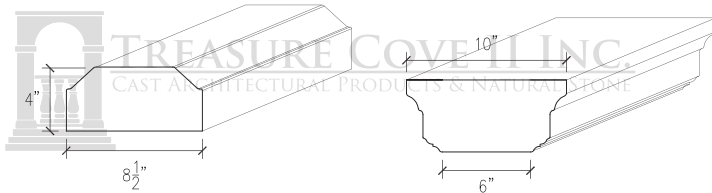
II INC.  
NATURAL STONE



II INC.  
NATURAL STONE

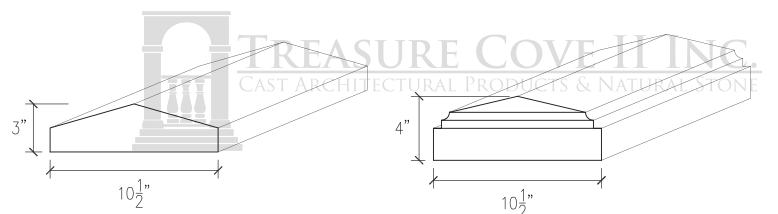


II INC.  
NATURAL STONE



TR1

TR2



WC11

WC10

