



TREASURE COVE II INC.
CAST ARCHITECTURAL PRODUCTS & NATURAL STONE



TREASURE COVE II INC.
CAST ARCHITECTURAL PRODUCTS & NATURAL STONE

WINDOW BOXES



TREASURE COVE II INC.
CAST ARCHITECTURAL PRODUCTS & NATURAL STONE



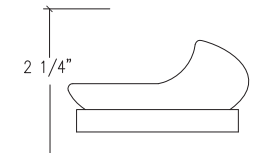
TREASURE COVE II INC.
CAST ARCHITECTURAL PRODUCTS & NATURAL STONE



TREASURE COVE II INC.
CAST ARCHITECTURAL PRODUCTS & NATURAL STONE



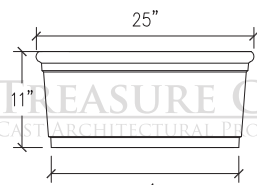
TREASURE COVE II INC.
CAST ARCHITECTURAL PRODUCTS & NATURAL STONE



Riser Available



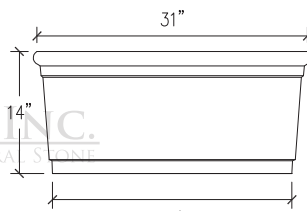
TREASURE COVE II INC.
CAST ARCHITECTURAL PRODUCTS & NATURAL STONE



P229



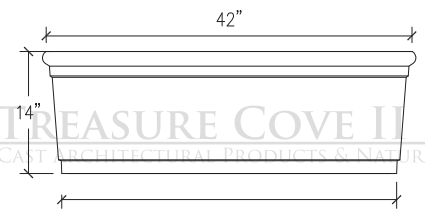
TREASURE COVE II INC.
CAST ARCHITECTURAL PRODUCTS & NATURAL STONE



P230



TREASURE COVE II INC.
CAST ARCHITECTURAL PRODUCTS & NATURAL STONE



P231



TREASURE COVE II INC.
CAST ARCHITECTURAL PRODUCTS & NATURAL STONE



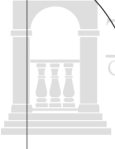
TREASURE COVE II INC.
CAST ARCHITECTURAL PRODUCTS & NATURAL STONE

URNS



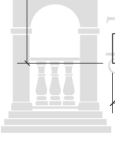
TREASURE COVE II INC.
CAST ARCHITECTURAL PRODUCTS & NATURAL STONE

TREASURE COVE II INC.
CAST ARCHITECTURAL PRODUCTS & NATURAL STONE



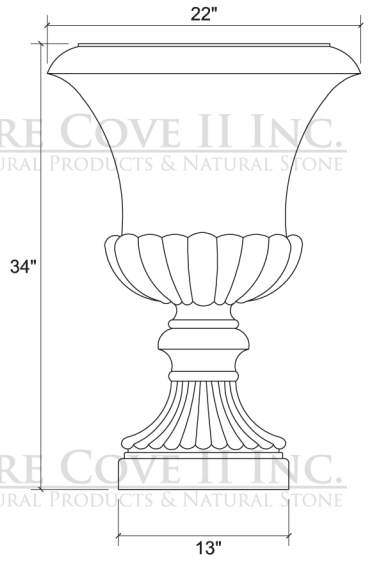
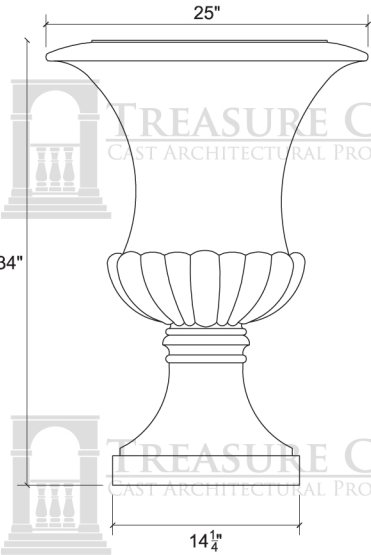
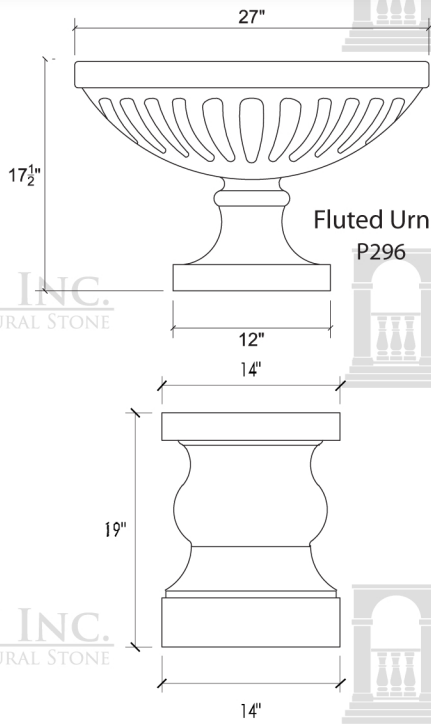
TREASURE COVE II INC.
CAST ARCHITECTURAL PRODUCTS & NATURAL STONE

TREASURE COVE II INC.
CAST ARCHITECTURAL PRODUCTS & NATURAL STONE



TREASURE COVE II INC.
CAST ARCHITECTURAL PRODUCTS & NATURAL STONE

TREASURE COVE II INC.
CAST ARCHITECTURAL PRODUCTS & NATURAL STONE



Baker Urn

Pedestal Available

Ringling Urn



TREASURE COVE II INC.
CAST ARCHITECTURAL PRODUCTS & NATURAL STONE



TREASURE COVE II INC.
CAST ARCHITECTURAL PRODUCTS & NATURAL STONE

SQUARE PLANTERS



TREASURE COVE II INC.
CAST ARCHITECTURAL PRODUCTS & NATURAL STONE

TREASURE COVE II INC.
CAST ARCHITECTURAL PRODUCTS & NATURAL STONE



TREASURE COVE II INC.
CAST ARCHITECTURAL PRODUCTS & NATURAL STONE

TREASURE COVE II INC.
CAST ARCHITECTURAL PRODUCTS & NATURAL STONE



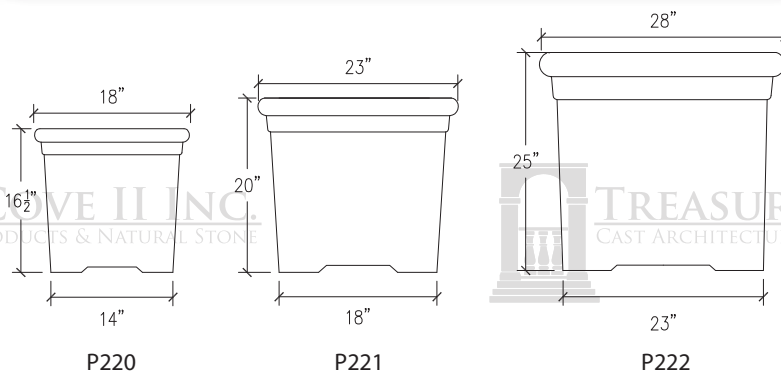
TREASURE COVE II INC.
CAST ARCHITECTURAL PRODUCTS & NATURAL STONE

TREASURE COVE II INC.
CAST ARCHITECTURAL PRODUCTS & NATURAL STONE

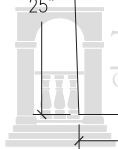


TREASURE COVE II INC.
CAST ARCHITECTURAL PRODUCTS & NATURAL STONE

TREASURE COVE II INC.
CAST ARCHITECTURAL PRODUCTS & NATURAL STONE



TREASURE COVE II INC.
CAST ARCHITECTURAL PRODUCTS & NATURAL STONE



TREASURE COVE II INC.
CAST ARCHITECTURAL PRODUCTS & NATURAL STONE



TREASURE COVE II INC.
CAST ARCHITECTURAL PRODUCTS & NATURAL STONE



TREASURE COVE II INC.
CAST ARCHITECTURAL PRODUCTS & NATURAL STONE

SQUARE GARDEN BOWLS



TREASURE COVE II INC.
CAST ARCHITECTURAL PRODUCTS & NATURAL STONE

TREASURE COVE II INC.
CAST ARCHITECTURAL PRODUCTS & NATURAL STONE



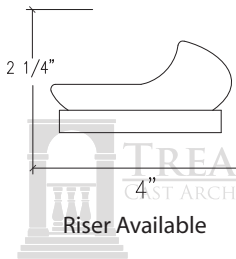
TREASURE COVE II INC.
CAST ARCHITECTURAL PRODUCTS & NATURAL STONE

TREASURE COVE II INC.
CAST ARCHITECTURAL PRODUCTS & NATURAL STONE



TREASURE COVE II INC.
CAST ARCHITECTURAL PRODUCTS & NATURAL STONE

TREASURE COVE II INC.
CAST ARCHITECTURAL PRODUCTS & NATURAL STONE

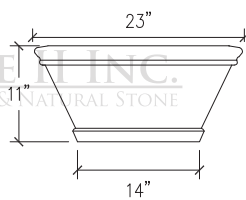


TREASURE COVE II INC.
CAST ARCHITECTURAL PRODUCTS & NATURAL STONE

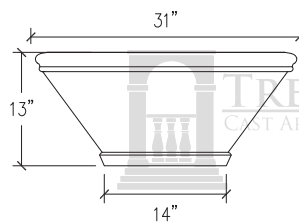


TREASURE COVE II INC.
CAST ARCHITECTURAL PRODUCTS & NATURAL STONE

TREASURE COVE II INC.
CAST ARCHITECTURAL PRODUCTS & NATURAL STONE



P290



P291



TREASURE COVE II INC.
CAST ARCHITECTURAL PRODUCTS & NATURAL STONE



TREASURE COVE II INC.
CAST ARCHITECTURAL PRODUCTS & NATURAL STONE

GARDEN BOWLS



TREASURE COVE II INC.
CAST ARCHITECTURAL PRODUCTS & NATURAL STONE



TREASURE COVE II INC.
CAST ARCHITECTURAL PRODUCTS & NATURAL STONE



TREASURE COVE II INC.
CAST ARCHITECTURAL PRODUCTS & NATURAL STONE



TREASURE COVE II INC.
CAST ARCHITECTURAL PRODUCTS & NATURAL STONE

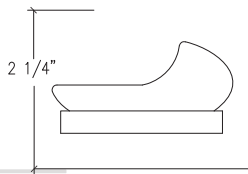


TREASURE COVE II INC.
CAST ARCHITECTURAL PRODUCTS & NATURAL STONE

TREASURE COVE II INC.
CAST ARCHITECTURAL PRODUCTS & NATURAL STONE

TREASURE COVE II INC.
CAST ARCHITECTURAL PRODUCTS & NATURAL STONE

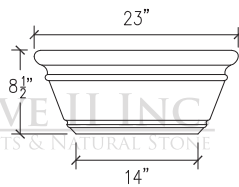
TREASURE COVE II INC.
CAST ARCHITECTURAL PRODUCTS & NATURAL STONE



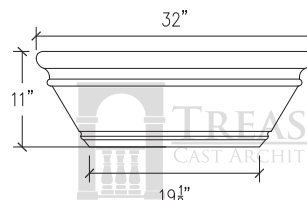
4"
Riser Available



TREASURE COVE II INC.
CAST ARCHITECTURAL PRODUCTS & NATURAL STONE



P250



P251



TREASURE COVE II INC.
CAST ARCHITECTURAL PRODUCTS & NATURAL STONE



TREASURE COVE II INC.
CAST ARCHITECTURAL PRODUCTS & NATURAL STONE



TREASURE COVE II INC.
CAST ARCHITECTURAL PRODUCTS & NATURAL STONE

PALM PLANTERS



TREASURE COVE II INC.
CAST ARCHITECTURAL PRODUCTS & NATURAL STONE

TREASURE COVE II INC.
CAST ARCHITECTURAL PRODUCTS & NATURAL STONE



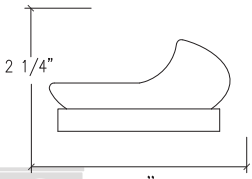
TREASURE COVE II INC.
CAST ARCHITECTURAL PRODUCTS & NATURAL STONE

TREASURE COVE II INC.
CAST ARCHITECTURAL PRODUCTS & NATURAL STONE



TREASURE COVE II INC.
CAST ARCHITECTURAL PRODUCTS & NATURAL STONE

TREASURE COVE II INC.
CAST ARCHITECTURAL PRODUCTS & NATURAL STONE

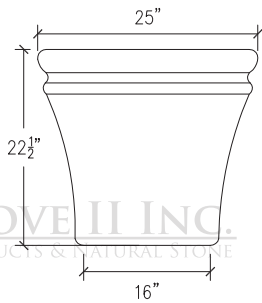


Riser Available

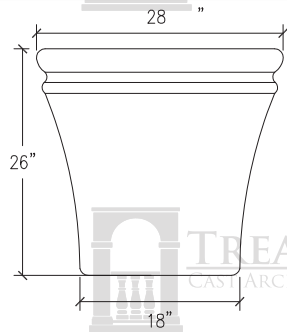


TREASURE COVE II INC.
CAST ARCHITECTURAL PRODUCTS & NATURAL STONE

TREASURE COVE II INC.
CAST ARCHITECTURAL PRODUCTS & NATURAL STONE



P270



P271



TREASURE COVE II INC.
CAST ARCHITECTURAL PRODUCTS & NATURAL STONE

TREASURE COVE II INC.
CAST ARCHITECTURAL PRODUCTS & NATURAL STONE



TREASURE COVE II INC.
CAST ARCHITECTURAL PRODUCTS & NATURAL STONE



TREASURE COVE II INC.
CAST ARCHITECTURAL PRODUCTS & NATURAL STONE

CLASSICAL URNS



TREASURE COVE II INC.
CAST ARCHITECTURAL PRODUCTS & NATURAL STONE

TREASURE COVE II INC.
CAST ARCHITECTURAL PRODUCTS & NATURAL STONE



TREASURE COVE II INC.
CAST ARCHITECTURAL PRODUCTS & NATURAL STONE

TREASURE COVE II INC.
CAST ARCHITECTURAL PRODUCTS & NATURAL STONE



TREASURE COVE II INC.
CAST ARCHITECTURAL PRODUCTS & NATURAL STONE

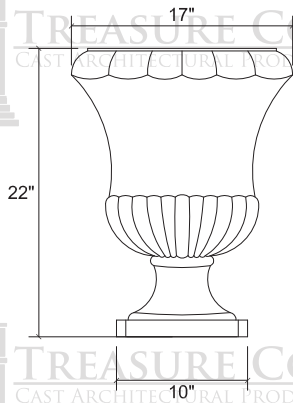
TREASURE COVE II INC.
CAST ARCHITECTURAL PRODUCTS & NATURAL STONE



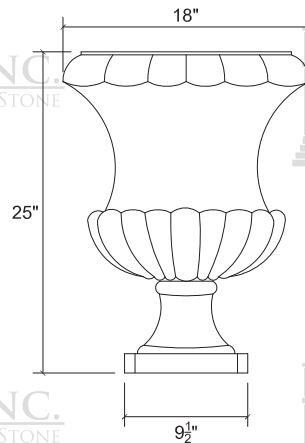
TREASURE COVE II INC.
CAST ARCHITECTURAL PRODUCTS & NATURAL STONE



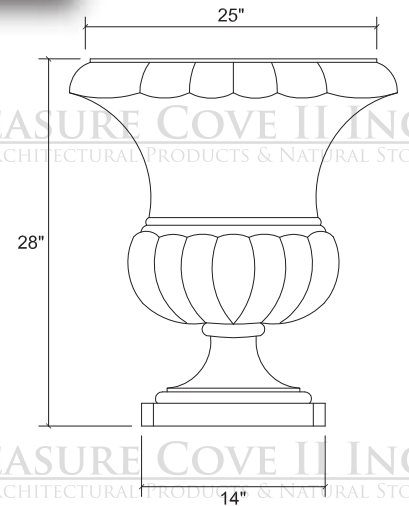
TREASURE COVE II INC.
CAST ARCHITECTURAL PRODUCTS & NATURAL STONE



P260



P261



P262



TREASURE COVE II INC.
CAST ARCHITECTURAL PRODUCTS & NATURAL STONE



TREASURE COVE II INC.
CAST ARCHITECTURAL PRODUCTS & NATURAL STONE



TREASURE COVE II INC.
CAST ARCHITECTURAL PRODUCTS & NATURAL STONE



TREASURE COVE II INC.
CAST ARCHITECTURAL PRODUCTS & NATURAL STONE

FLORAL URNS



TREASURE COVE II INC.
CAST ARCHITECTURAL PRODUCTS & NATURAL STONE

TREASURE COVE II INC.
CAST ARCHITECTURAL PRODUCTS & NATURAL STONE



TREASURE COVE II INC.
CAST ARCHITECTURAL PRODUCTS & NATURAL STONE

TREASURE COVE II INC.
CAST ARCHITECTURAL PRODUCTS & NATURAL STONE



TREASURE COVE II INC.
CAST ARCHITECTURAL PRODUCTS & NATURAL STONE

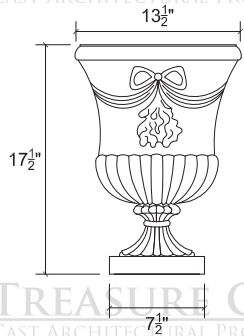
TREASURE COVE II INC.
CAST ARCHITECTURAL PRODUCTS & NATURAL STONE



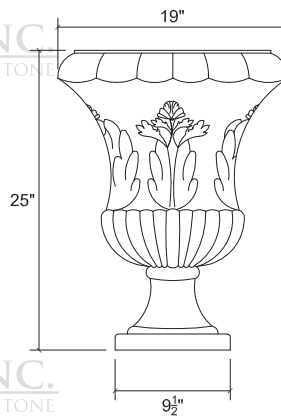
TREASURE COVE II INC.
CAST ARCHITECTURAL PRODUCTS & NATURAL STONE



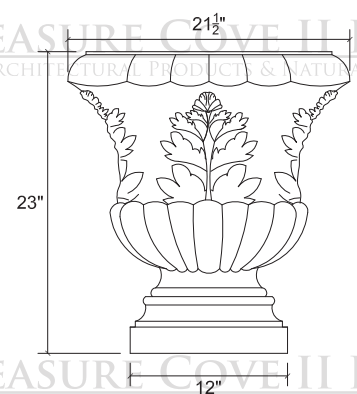
TREASURE COVE II INC.
CAST ARCHITECTURAL PRODUCTS & NATURAL STONE



P241



P242



P243



TREASURE COVE II INC.
CAST ARCHITECTURAL PRODUCTS & NATURAL STONE



TREASURE COVE II INC.
CAST ARCHITECTURAL PRODUCTS & NATURAL STONE



TREASURE COVE II INC.
CAST ARCHITECTURAL PRODUCTS & NATURAL STONE



TREASURE COVE II INC.
CAST ARCHITECTURAL PRODUCTS & NATURAL STONE

ROLLED RIM CYLINDERS



TREASURE COVE II INC.
CAST ARCHITECTURAL PRODUCTS & NATURAL STONE

TREASURE COVE II INC.
CAST ARCHITECTURAL PRODUCTS & NATURAL STONE



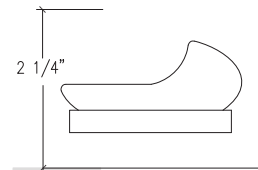
TREASURE COVE II INC.
CAST ARCHITECTURAL PRODUCTS & NATURAL STONE

TREASURE COVE II INC.
CAST ARCHITECTURAL PRODUCTS & NATURAL STONE



TREASURE COVE II INC.
CAST ARCHITECTURAL PRODUCTS & NATURAL STONE

TREASURE COVE II INC.
CAST ARCHITECTURAL PRODUCTS & NATURAL STONE

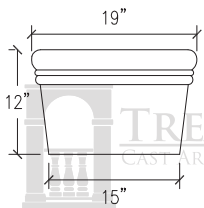


Riser Available

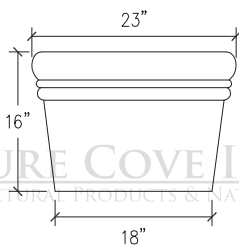


TREASURE COVE II INC.
CAST ARCHITECTURAL PRODUCTS & NATURAL STONE

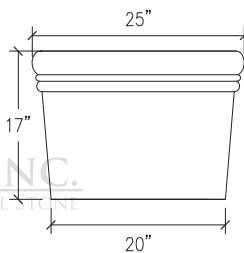
TREASURE COVE II INC.
CAST ARCHITECTURAL PRODUCTS & NATURAL STONE



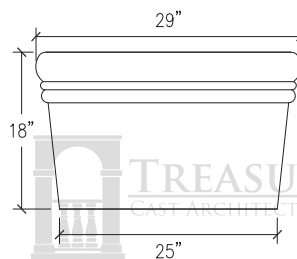
P201



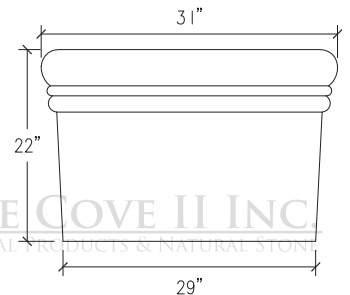
P202



P203



P204



P205

Not Shown In Photograph



TREASURE COVE II INC.
CAST ARCHITECTURAL PRODUCTS & NATURAL STONE



TREASURE COVE II INC.
CAST ARCHITECTURAL PRODUCTS & NATURAL STONE

NAPLES PLANTERS



TREASURE COVE II INC.
CAST ARCHITECTURAL PRODUCTS & NATURAL STONE

TREASURE COVE II INC.
CAST ARCHITECTURAL PRODUCTS & NATURAL STONE



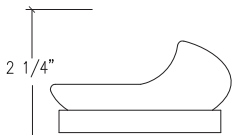
TREASURE COVE II INC.
CAST ARCHITECTURAL PRODUCTS & NATURAL STONE

TREASURE COVE II INC.
CAST ARCHITECTURAL PRODUCTS & NATURAL STONE



TREASURE COVE II INC.
CAST ARCHITECTURAL PRODUCTS & NATURAL STONE

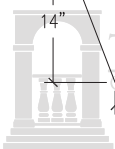
TREASURE COVE II INC.
CAST ARCHITECTURAL PRODUCTS & NATURAL STONE



TREASURE COVE II INC.
CAST ARCHITECTURAL PRODUCTS & NATURAL STONE

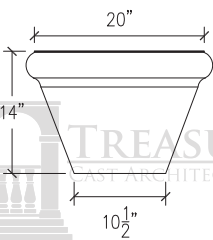
TREASURE COVE II INC.
CAST ARCHITECTURAL PRODUCTS & NATURAL STONE

4" Riser Available

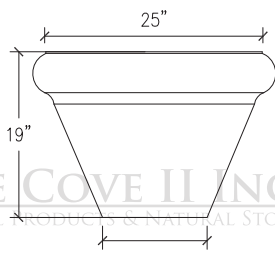


TREASURE COVE II INC.
CAST ARCHITECTURAL PRODUCTS & NATURAL STONE

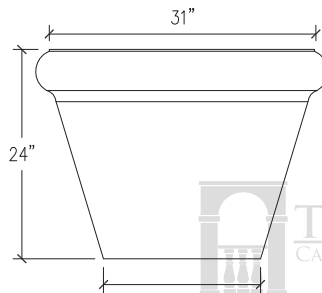
TREASURE COVE II INC.
CAST ARCHITECTURAL PRODUCTS & NATURAL STONE



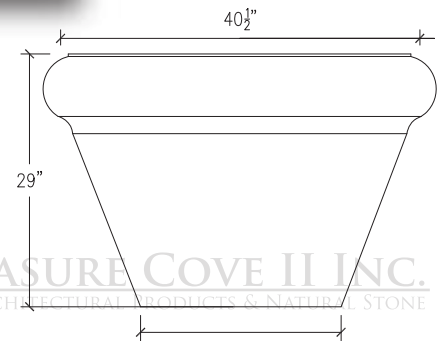
P280



P281



P282



P283

Not Shown In Photograph